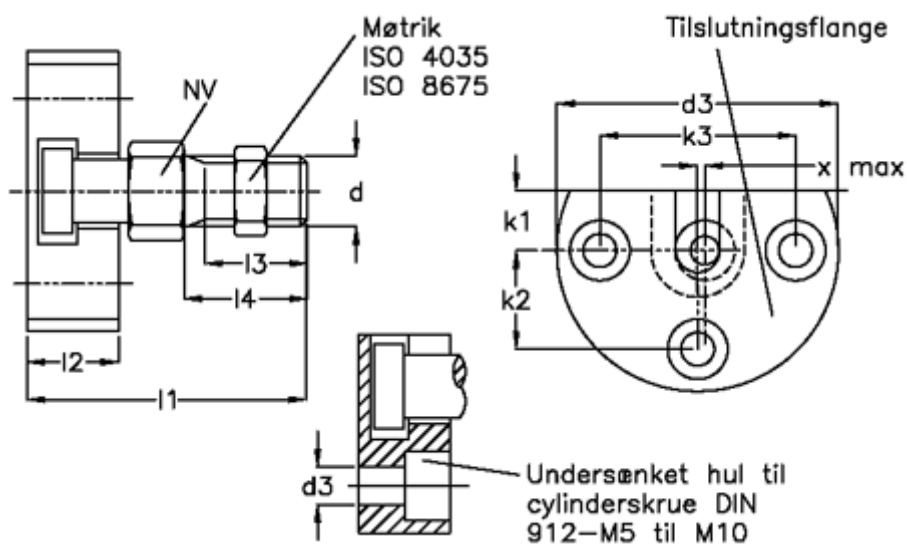


Article number: 20056552

Description: E+G Quick-fit coupling (radial displacement)  
GN 240.1-M10x1,25-A

## Measures



|                |                          |        |
|----------------|--------------------------|--------|
| d1 = M 10x1,25 | l3                       | = 16.0 |
| d2 = 50        | l4                       | = 20   |
| d3 = 6.5       | Max displacement         | = 0.7  |
| k1 = 9.0       | Max push-pull strength N | = 6500 |
| k2 = 17.0      | NV                       | = 17   |
| k3 = 34        |                          |        |
| l1 = 43.0      |                          |        |
| l2 = 16.0      |                          |        |